

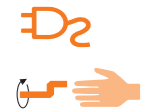
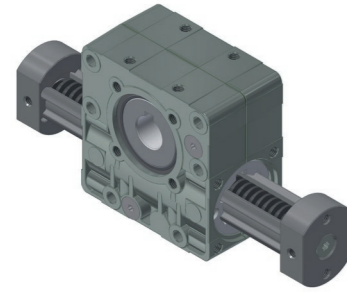
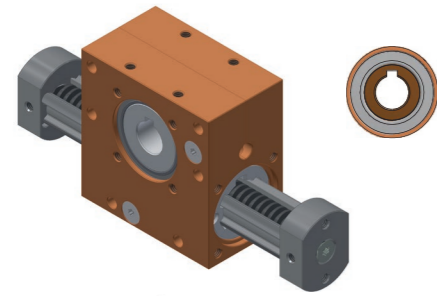
Rack and pinion gear Ket-Motion 2020 ZxP

Description

The function of the universally applicable linear gear units is to convert rotating movements into axial ones. They are used wherever vertical or horizontal transport, lifting, pushing or steering is required. As an electromechanical variant, these special gear-boxes often replace hydraulics and pneumatics. Thanks to a rack that can be freely scaled in length, the stroke can be freely selected to suit the application.

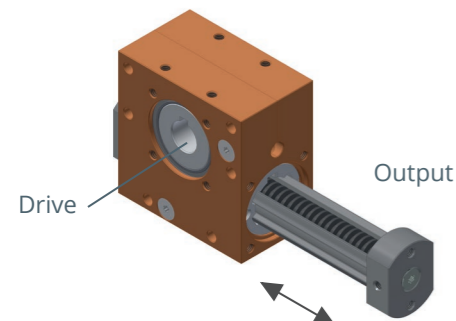
Special features

- **Axis distance 20 mm**
- Housing: Either anodized aluminum (color according to customer's request) or with zinc housing in a material saving design
- Feed per revolution 87 mm
- Backlash < 0.5 mm
- Max. Speed 100 mm/s
- Application temperature -20°C to +60°C
- Lubrication and maintenance free
- Stroke HXXXX: freely selectable

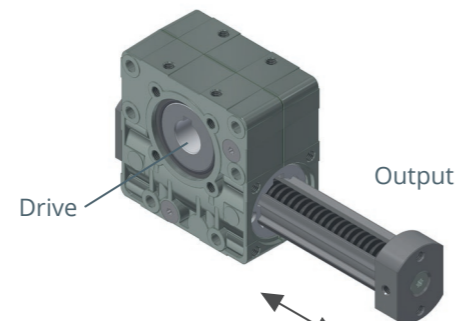


Variant key

Ket-Motion					
2020.00	Z	Linear gear			
Housing: Material & Optics					
	0	Alu, orange anodized (standard)			
	X _i	Alu, Color according to customer requirements			
	Z	Zinc die-cast housing			
Configuration of drive side					
	P	Splined shaft connection			
Stroke H					
	HXXXX	Stroke length in mm			
2020.00-	Z	0	P	H0150	Example



Variant with Alu-housing



Variant with Zinc-housing

Technical data

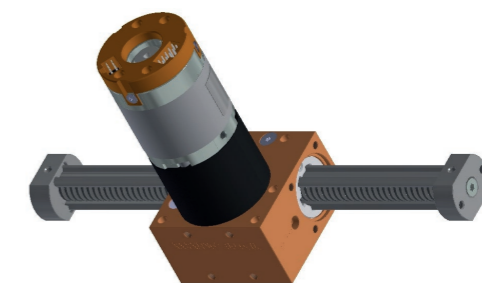
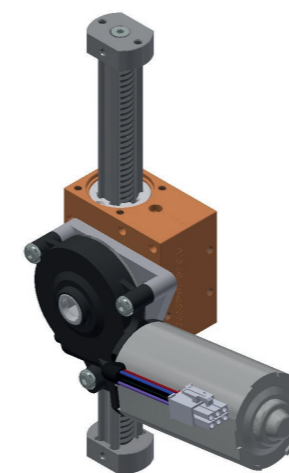
Item number	Stroke XXXX in mm	Feed per revolution in mm	Self locking	Drive torque max. M_A in Nm	Axial force output side	
					max. F_A in N	max. $F_{A peak}^{**}$ in N
2020.00-ZOPHXXXX 2020.00-ZZPHXXXX	variable*					
2020.00-ZOPH0150 2020.00-ZZPH0150	150					
2020.00-ZOPH0250 2020.00-ZZPH0250	250	87	No	2.3	100	1300
2020.00-ZOPH0500 2020.00-ZZPH0500	500					

* Max. stroke length 2500 mm
** Short-term peak load < 1 s

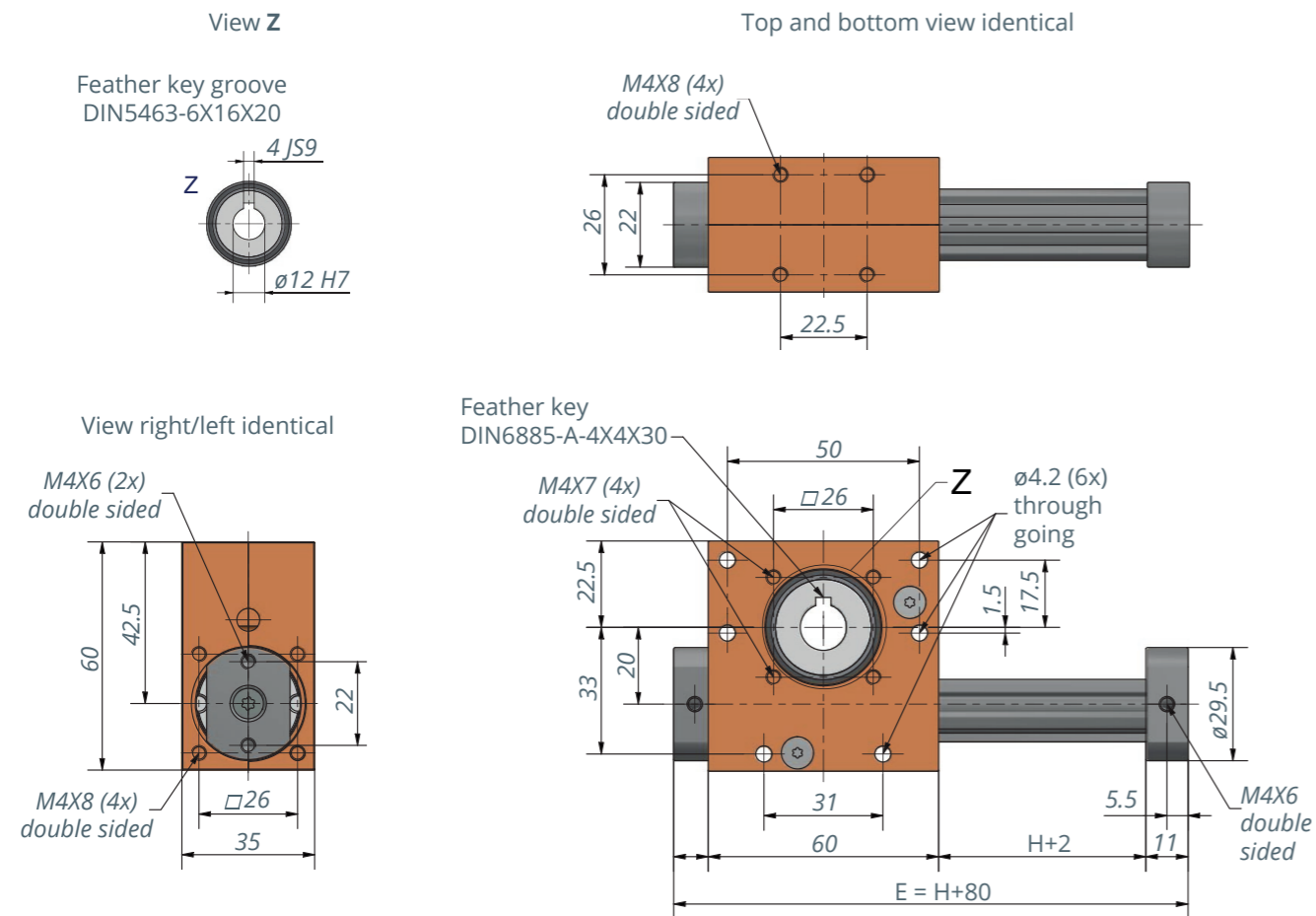
Application examples and accessories

Several gear units can be synchronized by means of connecting flanges, connecting shafts and electronic control. 2020 worm gear units are available with three different motor types. If required, a suitable control system can also be supplied. The parts required for this can be found in our extensive range of accessories.

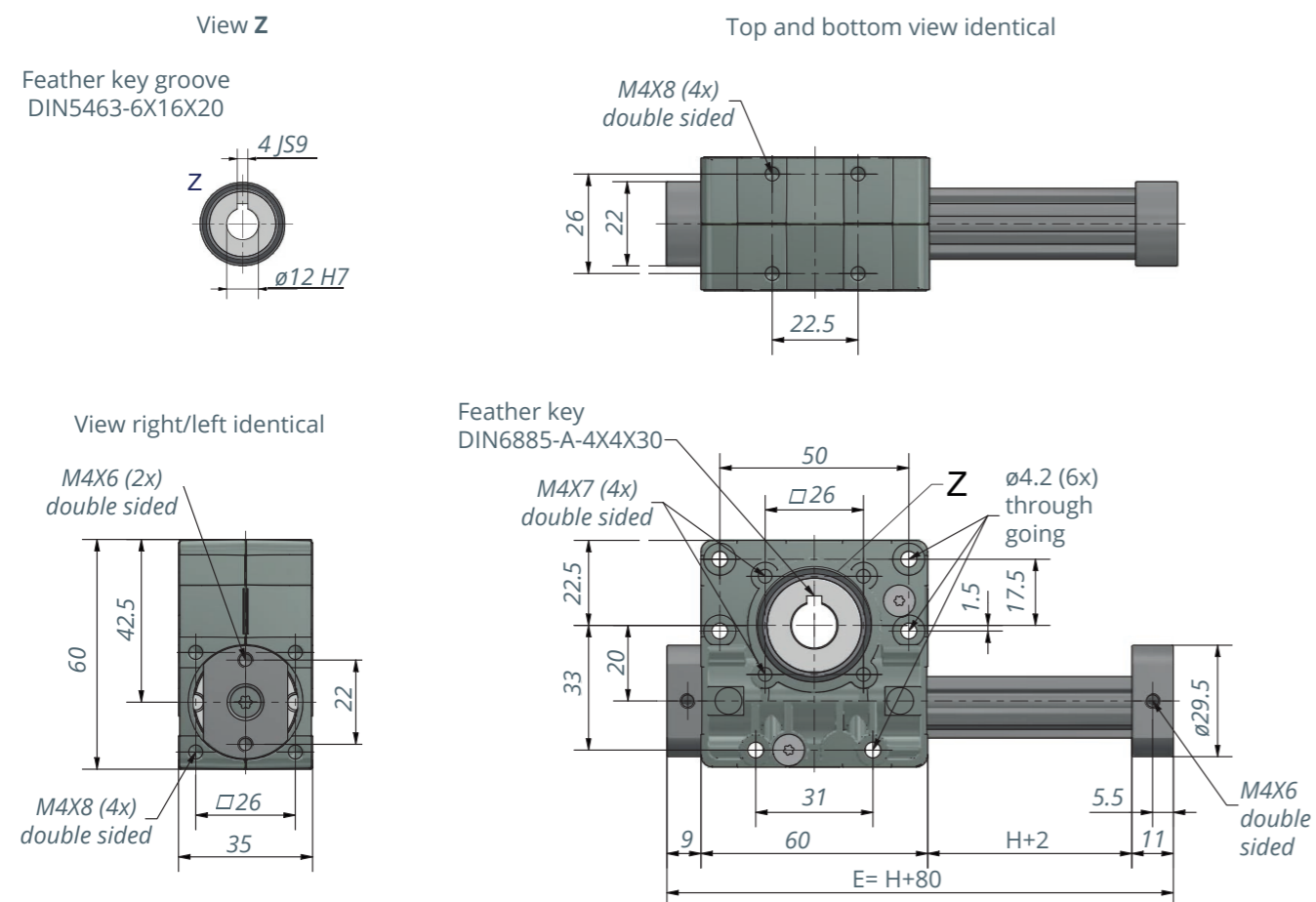
Application examples



Variant with **Aluminium-housing 2020.00-ZOPHXXXX**



Variant with **Zink-housing 2020.00-ZZPHXXXX**



Mechanical accessories

	Item number	Illustration
Alu shaft (Gear connector) with feather key DIN6885-A-4x4x12	5708.39-0000	M5 12 deep double sided 45 Feather key DIN8085-A-4x4x12
Steel shaft (Gear connector) with feather key DIN6885-A-4x4x12	5708.39-0001	M5 12 deep double sided 45 Feather key DIN8085-A-4x4x12
Claw coupling D1= 12/ D2= 8 for shaft connection	5790.12-0003	ø8 (D2= Ø-inside) ø12 (D1= Ø-inside) 21.3 43.5
Claw coupling D1= 12/ D2= 12 for shaft connection	5790.12-0001	ø12 (D1= D2) double sided 21.8 43.5
Claw coupling D1= 12 for splined shaft profile (DIN5463-6x12x20)	5790.12-0007	ø12 (D1) 22.8 44.7
Mounting flange 45° latching	2010.15-0001	45° ø25 8.6 37.3 59.8 59.8 ø30 10 13 50 19 31