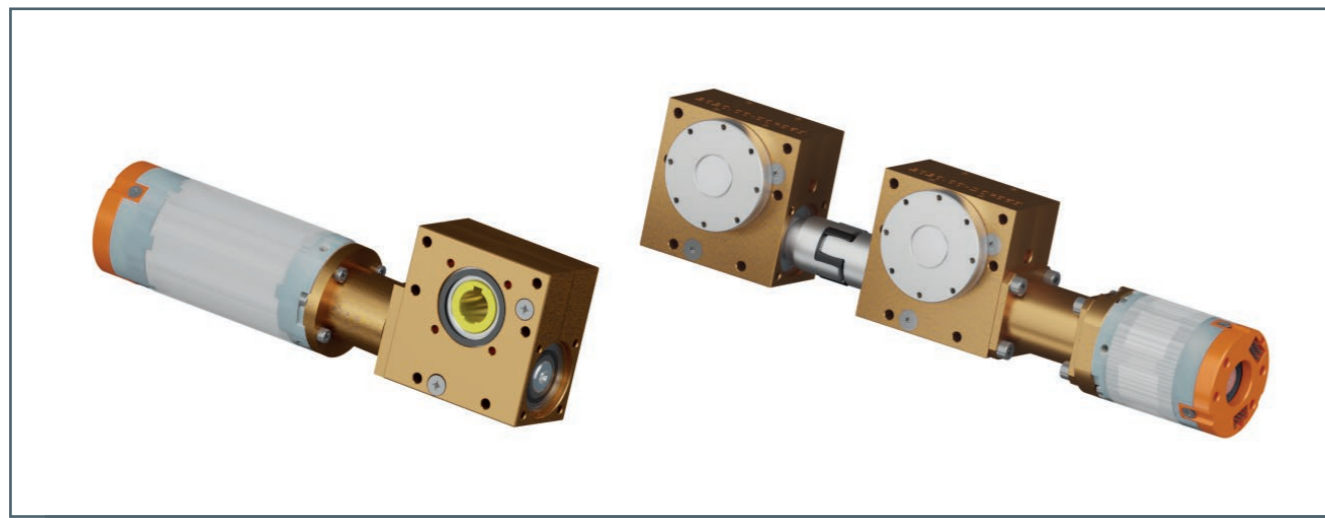


# BLDC motors with worm gearbox

## INFO DATA SHEET



Our BLDC motor with worm gearbox offers you a number of advantages. Thanks to the high efficiency and performance of the brushless DC motor, you can save energy and achieve powerful performance at the same time. The worm gear ensures precise and reliable power transmission as well as high transmission ratios, ideal for applications where a large torque boost is required

- High efficiency and performance
- Precise and reliable power transmission
- Can be freely combined with the gearboxes available on the market
- Option for compact design without clutch
- Energy saving and high performance

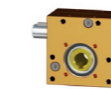
Thanks to Ketterer's flexibility, we can offer customized solutions that precisely meet your individual requirements.

Please contact us for further information.

## Combinatorics BLDC motors (DC)

	t-Rex 3200-I-44-47		t-Rex 3200-I-44-89		t-Rex 3200-I-44-89	t-Rex 3200-I-44-89
<b>Size</b>	44		44		65	65
<b>Length</b>	47		89		41	86
<b>Winded with focus</b>	max. torque	max. speed	max. torque	max. speed	max. speed	max. torque
<b>Rated voltage (VDC)</b>	24 - 48	24 - 36	24 - 48	24 - 36	24 - 48	24 - 48
<b>Rated power (W)</b>	42 - 93	48 - 38	31 - 70	67 - 79	134 - 301	106 - 232
<b>Rated speed (rpm)</b>	2000 - 4437	4600 - 7400	600 - 1347	2418 - 3767	2139 - 4812	535 - 1185
<b>Rated torque (Nm)</b>	0.2	0.1	0.5	0.3	0.6	1.9
<b>Stall torque (Nm)</b>	1	1.1	1.8	2	1.9	9
<b>Item.-Nr.</b>	3200.00-3000	3200.00-3002	3200.00-0005 3200.00-0006	3200.00-0004 3200.00-0009	3206.00-0001	3206.00-0003 3206.00-0005

### Worm gearbox



i= 1:1 bis 65:1

Ket-Motion 2020 Ket-Motion 2030 Ket-Motion 2020 Ket-Motion 2030 Ket-Motion 2020 Ket-Motion 2030 Ket-Motion 2020 Ket-Motion 2030 Ket-Motion 2020 Ket-Motion 2030 Ket-Motion 2030

## Possible applications:

- **Electric swivel mechanisms for inspection and maintenance access:** For machines and systems where access flaps or doors need to be moved. The swivel mechanism can handle large loads handle large loads with low maintenance.
- **Conveyor and roller belts:** For high transmission ratios, precise power transmission and energy-efficient performance.
- **Rotary movements in mechanical engineering:** Highly reliable and durable drive solution with high efficiency and precision with high torque.

